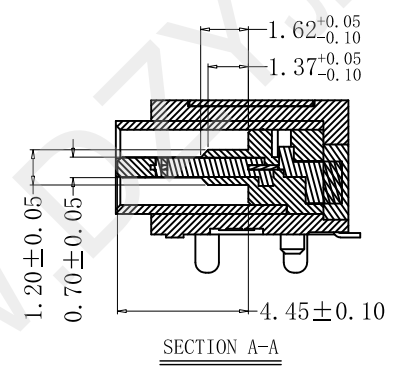
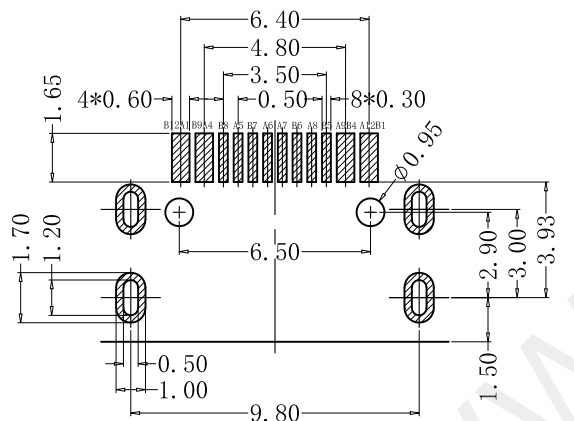


- SPECIFICATION:**
- Material:
 - HOUSING&MOLDING: HIGH TEMPERATURE RESISTANT PLASTIC, UL94 V-0
 - CONTACTS: COPPER ALLOY T=0.15mm
 - IDDL CLIP: SUS301-1/2H, T=0.15mm
 - SHELL-1: SUS304, T=0.30mm
 - SHELL-2: SUS304, T=0.20mm
 - Mechanical:
 - 2.1. Mating force: 0.5~2.0kgf.
 - 2.2. UNMATING FORCE: 0.8~2.0kgf.
 - 0.6~2.0kgf AFTER DURABILITY TEST;
 - 2.3. Durability: 10000 Cycles;
 - Electrical:
 - 3.1. Current Rating: 3A Max.;
 - 3.2. Voltage Rating: 20V Max.;
 - 3.3. Dielectric Withstanding voltage: 100VAc;
 - 3.4. Contact resistance: 40m Ohms Max.;
 - 3.5. Insulation Resistance: 100M Ohms Min.;
 - Environmental:
 - 4.1. Operating temperature: -40°C~+85°C;
 - 4.2. Wetting Temperature: 265±5°C, 5±0.5s

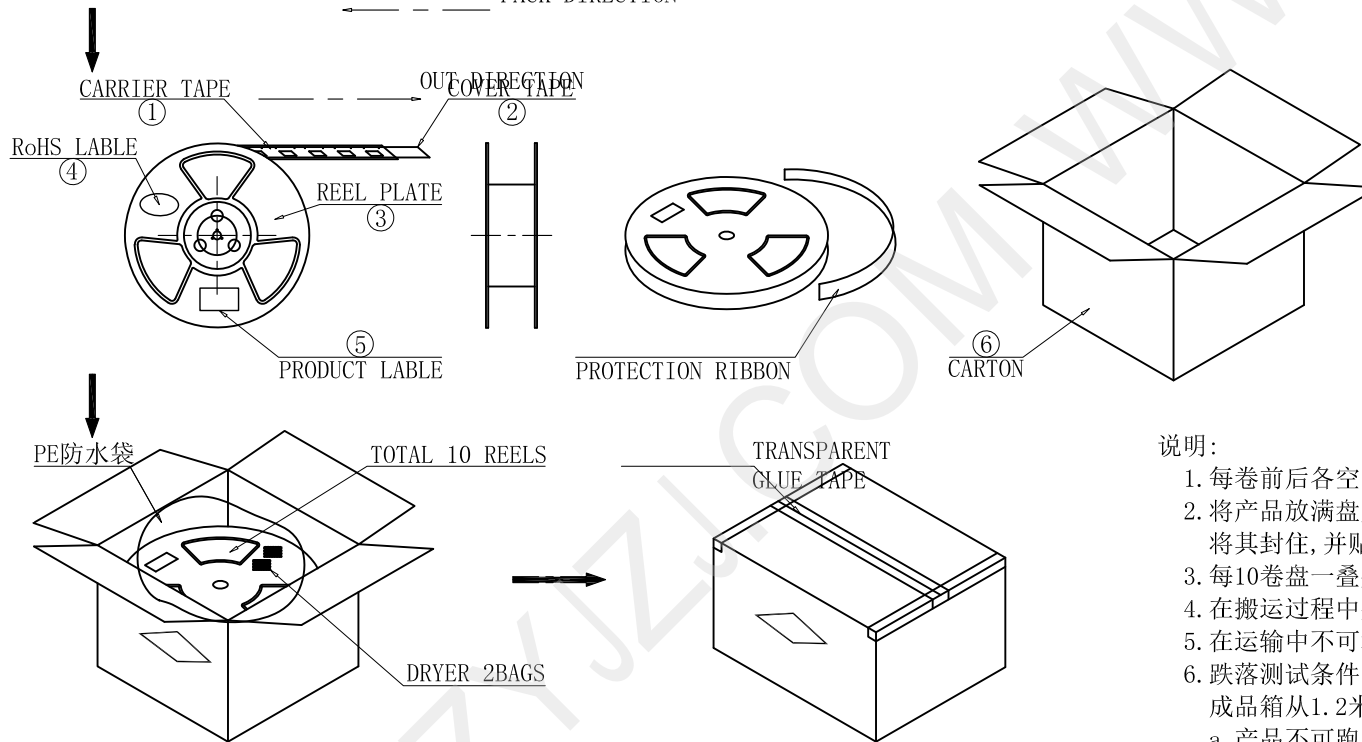
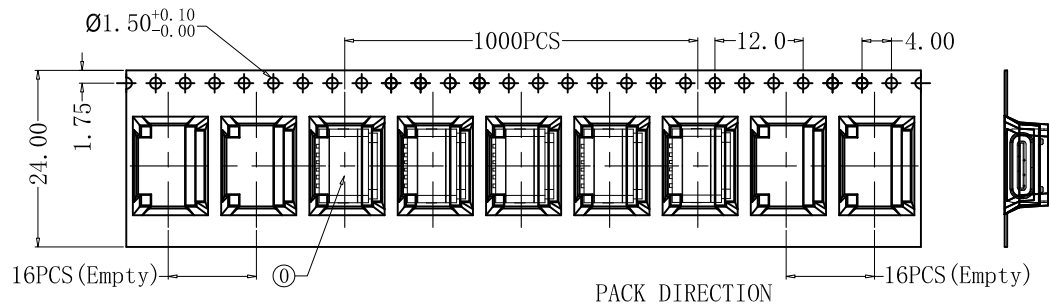


| PIN DEFINE TABLE | | | |
|------------------|--------|-----|--------|
| PIN | SIGNAL | PIN | SIGNAL |
| A12 | GND | B1 | GND |
| A11 | | B2 | |
| A10 | | B3 | |
| A9 | VBUS | B4 | VBUS |
| A8 | SBU1 | B5 | CC2 |
| A7 | D- | B6 | D+ |
| A6 | D+ | B7 | D- |
| A5 | CC1 | B8 | SBU2 |
| A4 | VBUS | B9 | VBUS |
| A3 | | B10 | |
| A2 | | B11 | |
| A1 | GND | B12 | GND |

RECOMMENDED P.C.B. LAYOUT (T: 1.0~1.2mm)
TOLERANCE UNSPECIFIED ±0.05mm

深圳市华宇创精密电子有限公司


| | | | |
|---|--------------------------------------|---|--|
| TOLERANCE: XX ±0.30 XX ±0.25 XXX ±0.15 X' ±2' X.X' ±0.5' | DRAWN BY : 陈一鸣 DATE : 2014-02-23 | PART NAME: USB TYPE C 防水母座16P 板上型SMT 带柱四脚 | |
| | CHECKED BY: 马跃 DATE : 2014-02-23 | PART NO. HYC544-USBC16-790 MOLD NO. | |
| UNIT: mm [inch] SCALE: 1:1 SIZE: A4 | APPROVED BY: 邱敏 DATE : 2014-02-23 | DRAW NO: HYC-2407281631 SHEET NO. 1 OF 1 | |



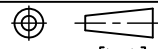
说明:

1. 每卷前后各空16PCS, 尾部用美纹胶纸封住;
2. 将产品放满盘后, 再卷一圈保护带, 用美纹胶纸将其封住, 并贴上1Pcs物料标签;
3. 每10卷盘一叠共10000Pcs并装入1个外箱内;
4. 在搬运过程中要轻拿轻放;
5. 在运输中不可堆放过多(1.8M最高), 不可重压;
6. 跌落测试条件:
成品箱从1.2米高度自由落体(一角三棱六面):
a. 产品不可跑出下带凹槽;
b. 产品不可有摔伤, 变形;
c. 内包装材料不可严重破损.

| NO. | NAME | SPEC | Q' TY |
|-----|-------------------|------------------|-----------------|
| ① | TYPE C RECEPTACLE | | 10000PCS/CARTON |
| ① | CARRIER TAPE | W=24mm, T=0.35mm | 1000PCS/PLATE |
| ② | COVER TAPE | W=21.5mm | 10PLATES/CARTON |
| ③ | REEL PLATE | □330*100*24.4mm | 10PCS/CARTON |
| ④ | RoHS LABEL | | 10PCS/CARTON |
| ⑤ | PRODUCT LABER | | 10PCS/CARTON |
| ⑥ | CARTON | 350*340*310mm | 1PCS/PACKAGE |



深圳市华宇创精密电子有限公司

| | | | | |
|--|---------------|------------|------------|--------|
| TOLERANCE: X.X ±0.30 X.XX ±0.25 X.XXX ±0.15 X' ±2' X.X' ±0.5' | DRAWN BY : | DATE : | PART NAME: | |
| | 陈一鸣 | 2014-02-23 | 包装图 | |
|  UNIT: mm [inch] SCALE:1:1 SIZE: A4 | CHECKED BY : | DATE : | PART NO. | |
| | 马跃 | 2014-02-23 | MOLD NO. | |
| | APPROVED BY : | DATE : | DRAW NO: | |
| | 邱敏 | 2014-02-23 | SHEET NO. | 1 OF 1 |